

PENTEK INTELLIDRIVE™

CONNECTION DIAGRAM - SURGE ARRESTER

**Read your manual for installation, operation, and safety information.
This guide neither supplements nor replaces the Owner's Manual.**

NOTICE

⚠ WARNING Hazardous voltage. Disconnect power before installation.

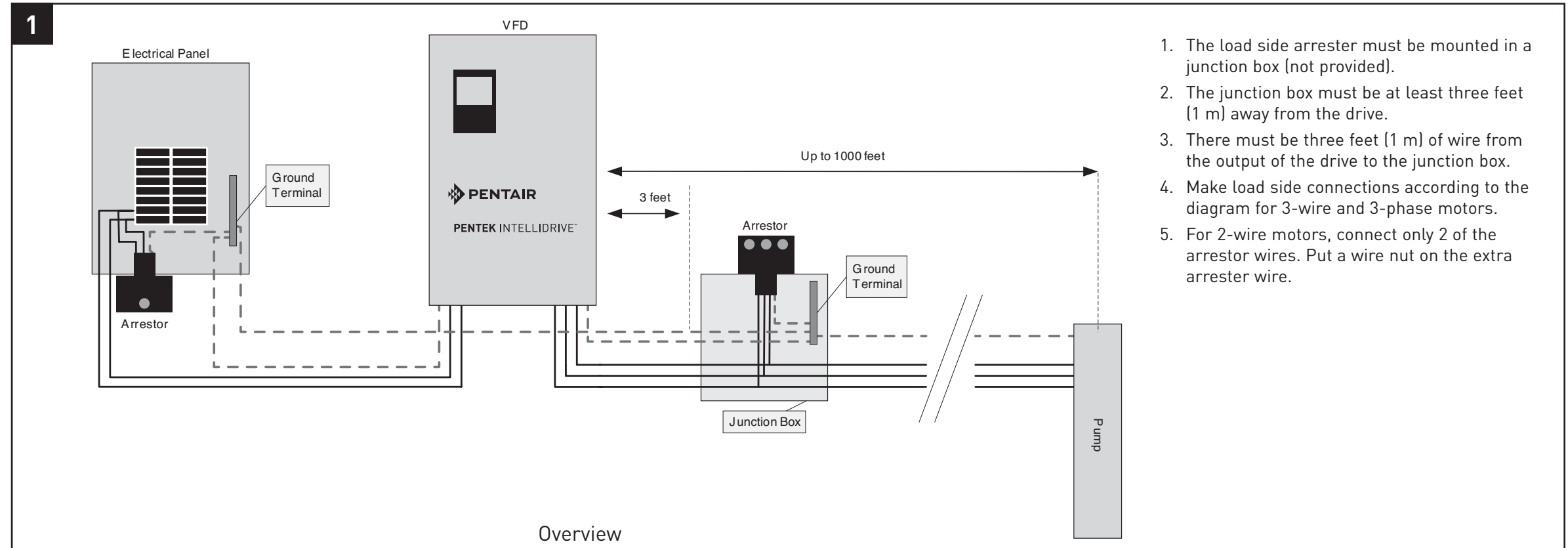
- There must be no power applied to the drive when installing the surge arresters.
- Before installing the line and the load surge arresters, the circuit breaker must be in the OFF position.
- DO read and follow the instructions in the manual.
- DO have electrical systems installed by qualified persons.

NOTICE

- These surge arrester devices are not guaranteed to protect the drive from a direct lightning strike.
- These devices are not guaranteed to absorb a lightning strike and then continue to protect the drive. If they absorb a lightning strike and are no longer operational, replace the arrester(s).

California Proposition 65 Warning

⚠ WARNING This product and related accessories contain chemicals known to the State of California to cause cancer, birth defects or other reproductive harm.



1. The load side arrester must be mounted in a junction box (not provided).
2. The junction box must be at least three feet (1 m) away from the drive.
3. There must be three feet (1 m) of wire from the output of the drive to the junction box.
4. Make load side connections according to the diagram for 3-wire and 3-phase motors.
5. For 2-wire motors, connect only 2 of the arrester wires. Put a wire nut on the extra arrester wire.

