



# self-priming cast iron shallow well jet pumps



*The ProjJet™ SN Series Pumps provide excellent performance with good pressure for wells to 25' deep. Self-priming after the priming chamber has been filled with water.*

### APPLICATIONS

- Water systems and sprinkling... for homes, farms and cottages.

### SPECIFICATIONS

- Max. Liquid Temperature:** 140°F
- Max. Inlet Pressure:** 50 PSI
- Average Priming Time at 15 Feet:**
  - SNC = 2.3; SND = 1.7
  - SNE = 1.3; SNF = 1.1
- Average Priming Time at 25 Feet:**
  - SNC = 6.4; SND = 4.4
  - SNE = 4.4; SNF = 2.6
- Body** – Close-grained cast iron
- Nozzle** – High strength Lexan®
- Venturi** – Lexan®
- Impeller** – Noryl®
- Diffuser** – Reinforced polypropylene
- Shaft** – One-piece threaded, 416 grade stainless steel
- Base** – Steel, 12 gauge

### ORDERING INFORMATION

Catalog Number	HP	Switch Setting	Description	Pipe Tapping Sizes		Motor Voltage	Approx. Wt. Lbs.
				Suct.	Disch.		
SNC	1/2	30-50	Shallow Well Jet	1-1/4"	1"	115/230	45
SNC-HF25L	1/2	20-40	Hi Flow, Shallow Well Jet	1-1/4"	1"	115/230	45
SND	3/4	30-50	Shallow Well Jet	1-1/4"	1"	115/230	47
SNE	1	30-50	Shallow Well Jet	1-1/4"	1"	115/230	55
SNF	1-1/2	30-50	Shallow Well Jet	1-1/4"	1"	115/230	60

Lexan® and Noryl® are registered trademarks of General Electric Co. ProjJet™ and PRO-Source™ are trademarks of Pentair Water. In order to provide the best products possible, specifications are subject to change.

## PROJET™ SN SERIES

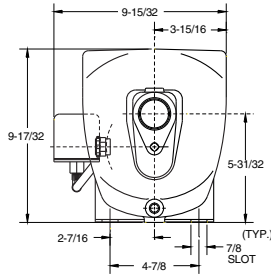
### FEATURES

- Quality Construction** – Close-grained cast iron body. Drain port provided for easy winterizing.
- Built-in Jet** – High strength Lexan® nozzle and venturi for maximum resistance to corrosion and abrasion. Clean out plug provided for ease of service.
- Noryl® Impeller** – Precision-molded for perfect balance... ultra-smooth for highest performance and efficiency.
- Precision Molded Diffuser** – Pump primes faster, handles more air, with multi-port, precision-molded, reinforced polypropylene diffuser.
- Mechanical Shaft Seal** – Precision lapped and highly polished carbon-ceramic, stainless steel construction. Internal design guarantees continuous water lubrication.
- Motor Windings** – Superior insulation materials protect against excessive moisture and contaminants... assure prolonged motor life.
- Balanced Rotor** – Die cast under high pressures for uniform performance and greater efficiency, dynamically balanced.
- Heavy-duty Ball Bearings** – Shielded, permanently lubricated bearings, extensively tested to ensure extended life and smooth, quiet operation.
- Pump and Motor Shaft** – Stainless steel for maximum corrosion resistance; one-piece threaded shaft for positive impeller drive and alignment.
- Dustproof Cover** – All electrical components are protected from dirt, dust and insects by a dustproof canopy; ventilating air cannot contaminate vital switching components.
- Pressure Switch** – Professional quality, allows cut-in adjustments.

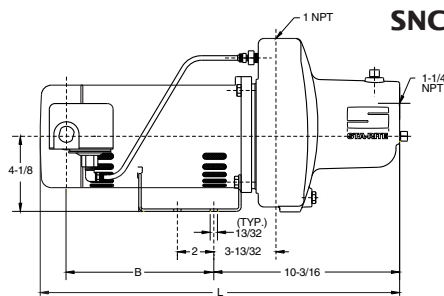
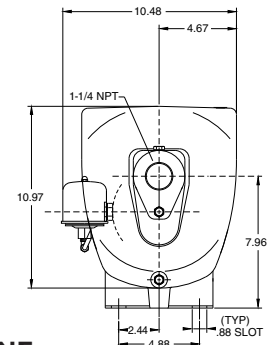


# self-priming cast iron shallow well jet pumps

## OUTLINE DIMENSIONS

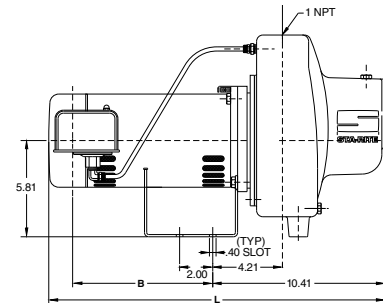


Cat. No.	L	B
SNC	18.7	7.1
SND	18.7	7.1
SNE	21.3	7.0
SNF	22.4	8.0



**SNC and SND**

**SNE and SNF**



Dimensions (in inches) are for estimating purposes only.

## PUMP PERFORMANCE (Capacity in Gallons Per Minute)

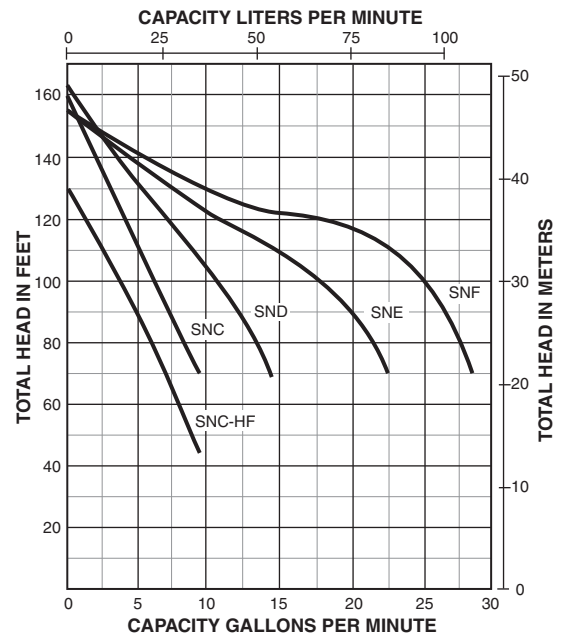
Catalog Number	HP	Disch. Pressure PSI	Dynamic Suction Lift					Shut-Off Pressure PSI
			5'	10'	15'	20'	25'	
SNC-HF25L	1/2	20	13.7	12.3	10.6	8.8	6.3	56
		30	11.8	10.6	9.3	8.2	6.2	
		40	7.2	6.3	5.2	4.0	2.4	
SNC	1/2	30	9.7	8.3	7.4	5.9	4.3	70
		40	7.9	7.2	6.4	5.6	4.1	
		50	4.5	3.8	3.1	2.7	1.8	
SND	3/4	30	15.0	13.0	11.6	8.7	6.9	70
		40	12.5	11.4	10.1	8.2	6.8	
		50	8.0	6.8	6.1	4.8	3.5	
SNE	1	30	21.4	19.1	16.5	13.3	9.5	67
		40	20.8	18.7	15.8	13.2	9.3	
		50	13.5	11.6	10.1	7.4	2.4	
SNF	1-1/2	30	28.5	25.0	21.4	17.4	12.6	67
		40	28.3	24.4	21.0	17.2	12.3	
		50	21.5	18.3	10.9	3.1	1.6	

Pump will operate at all depths shown, with pressure switch set at 30-50 PSI.

Tested and rated in accordance with Water Systems Council Standards.

**NOTE:** Pumps installed with a PRO-Source™ tank require a 100 PSI relief valve. Pumps installed with a conventional tank require a 75 PSI relief valve. Relief valve must be capable of relieving entire flow of pump at relief pressure.

## PUMP PERFORMANCE



**2.31 FT. OF HEAD = 1 PSI  
1 FT. OF HEAD = .433 PSI**

