



cast iron submersible high temperature effluent pumps



The HT3/HTX3 Series Pump is a small, rugged, submersible, cast iron pump with a non-clog vortex impeller and solids handling capability to 3/4". Unit has 1/3 HP, 115 Volt, single-phase motor and 1-1/2" NPT vertical discharge. Includes high temperature float switch.

APPLICATIONS

- Boiler Blow Down Pits
- Condensate Pits
- Hot Water Sumps

ORDERING INFORMATION

Catalog Number	HP	Maximum Load Amps	Volts	Phase/Cycles	Cord Length	Mechanical Switch Type	Switch Setting	
							On	Off
HTX333120M	1/3	13.0	115	1/60	20'	Manual	—	—
HT333120T	1/3	13.0	115	1/60	20'	Tethered	13.5"	4.5"

In order to provide the best products possible, specifications are subject to change.

HT3/HTX3 SERIES

SPECIFICATIONS

- Volute Casing** – Cast iron
- Upper and Lower Motor Housings** – Cast iron
- Impeller** – Cast iron
- Mechanical Seal** – Type 6A or equal, Buna-N elastomers, carbon and ceramic sealing faces, stainless steel metal parts
- Bearings** – Lower ball, upper sleeve type, oil lubricated
- Lower Motor Housing O-Ring** – Buna-N
- Exterior Hardware and Nameplate** – Stainless steel
- Motor** – 1/3 HP, 1550 RPM, 115 Volt, single-phase, 60 Hz. Oil-filled. Built-in thermal overload protection with automatic reset.
- Power Cord** – 20' oil and water resistant 16-3 SJ00W-A/SJOW with integrally grounded three-prong plug
- Maximum Liquid Temperature Limits** – HT3: 194°F (90°C); HTX3: 200°F (93°C)

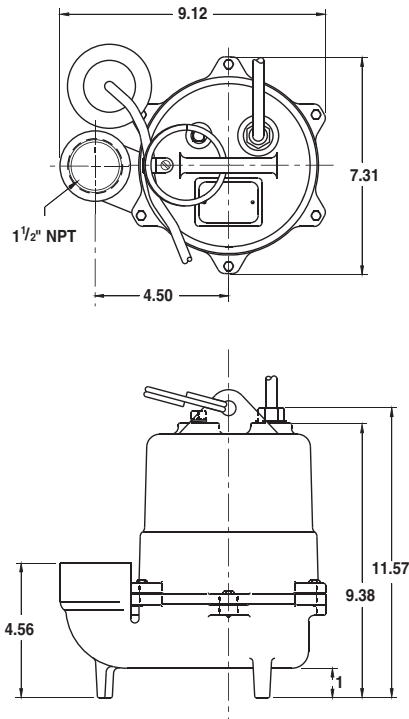
FEATURES

- Impeller** – Non-clog vortex style, ejector vanes for seal protection.
- Stainless Steel Hardware** – Allows easy disassembly after extended service.
- Construction** – Cast iron motor housing, volute and impeller with stainless steel hardware for long life.
- Solids Handling** – 3/4" spherical capability.
- Overload Protection** – Built-in thermal overload with automatic reset.
- Serviceability** – Heavy-duty lift out ring.
- Cord Design** – Prevents oil loss from and moisture protection for motor.
- Bearings and Mechanical Seal** – Permanently lubricated for long life.



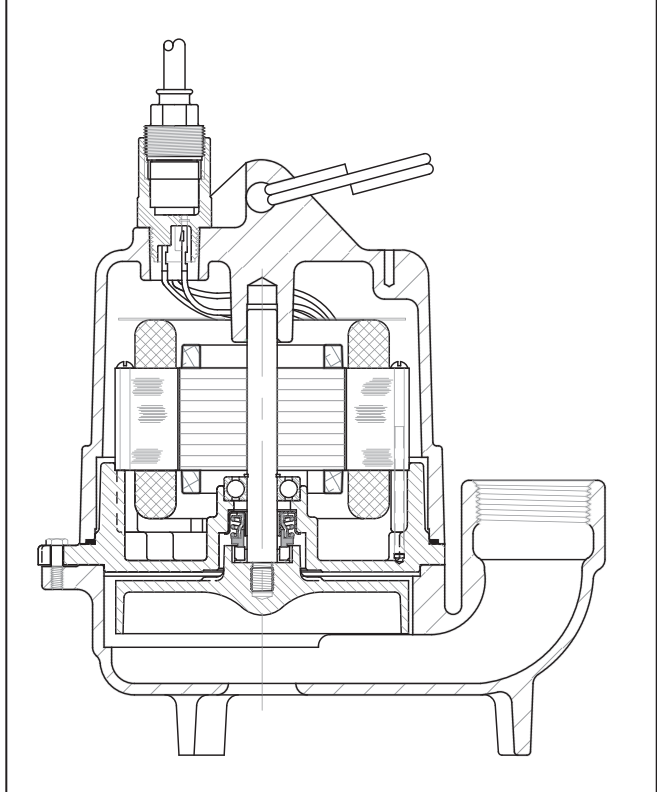
cast iron submersible high temperature effluent pumps

OUTLINE DIMENSIONS



Dimensions (in inches) are for estimating purposes only.

SECTIONAL VIEW



PUMP PERFORMANCE

