



cast iron submersible effluent pumps

Silicon Carbide Seals



The EC6/EC7/EH7 Series Pump is a rugged, submersible cast iron pump with a non-clog, semi-open impeller and solids handling capability to 3/4". Unit has a 1/2, or 1 HP single or three phase motor complete with power cord. 2" NPT vertical discharge is standard. A full selection of accessories for automatic operation is available, and includes float switches, duplex controllers, simplex controllers, alarms, basins and check valves.

APPLICATIONS

- Effluent and Wastewater Removal
- Sump Drainage
- Dewatering
- Flood Control

EC6/EC7/EH7 SERIES

SPECIFICATIONS

Volute Casing – Cast iron

Upper and Lower Motor Housing – Cast iron

Impeller – Cast iron

Mechanical Seal – Type 6A or equal, Buna-N elastomers, silicon carbide sealing faces, stainless steel metal parts

Bearings – Ball type, oil lubricated

Exterior Hardware and Nameplate – Stainless steel

Motor – 1/2, and 1 HP, 3450 RPM, 115 Volts (1/2 HP only) or 230 Volts single phase or 208-230/460 Volts three phase, 60 Hz. Oil-filled. Built-in thermal overload protection with automatic reset and permanent split capacitor on single phase only. Stainless steel motor shaft and impeller lock nut.

Power Cord – *Single Phase:* 20' oil and water resistant 16-3 SJTW-A/SJTW with integrally grounded 3-prong plug. UL listed.

Three Phase: 20' oil and water resistant 16-4 STW-A/STW.

Maximum Liquid Temperature Limits – 130°F (55°C)

FEATURES

Bearings and Mechanical Seal – Permanently lubricated for long life.

Impeller – Non-clog vortex style, pump out vanes for seal protection.

Overload Protection – Built-in thermal overload with automatic reset on single phase.

Cord Design – Prevents oil loss from and moisture protection for motor.

Serviceability – Heavy-duty lift out ring, field serviceable.

Solids Handling – 3/4" spherical capability.

Stainless Steel Hardware – Allows for easy disassembly after extended service.

Controls – Standard controls. available for automatic operation.

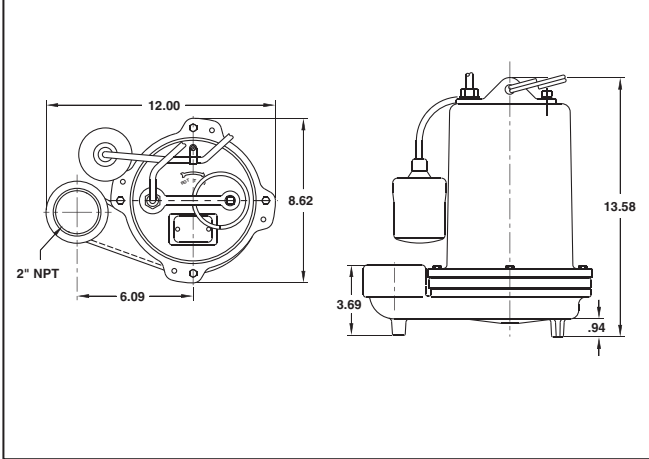
Float – Mechanical (non mercury).

In order to provide the best products possible, specifications are subject to change.

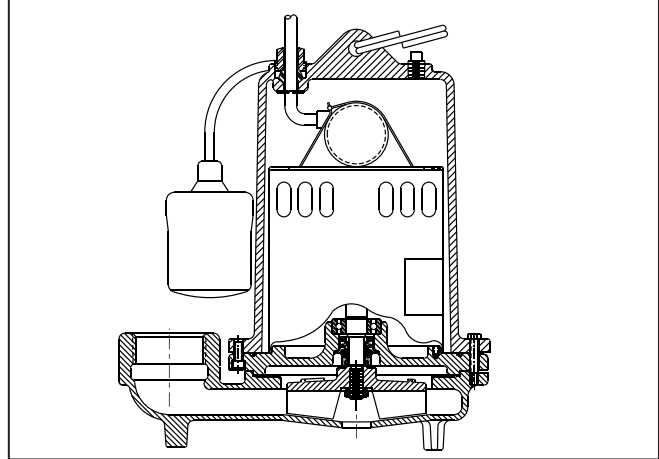


cast iron submersible effluent pumps

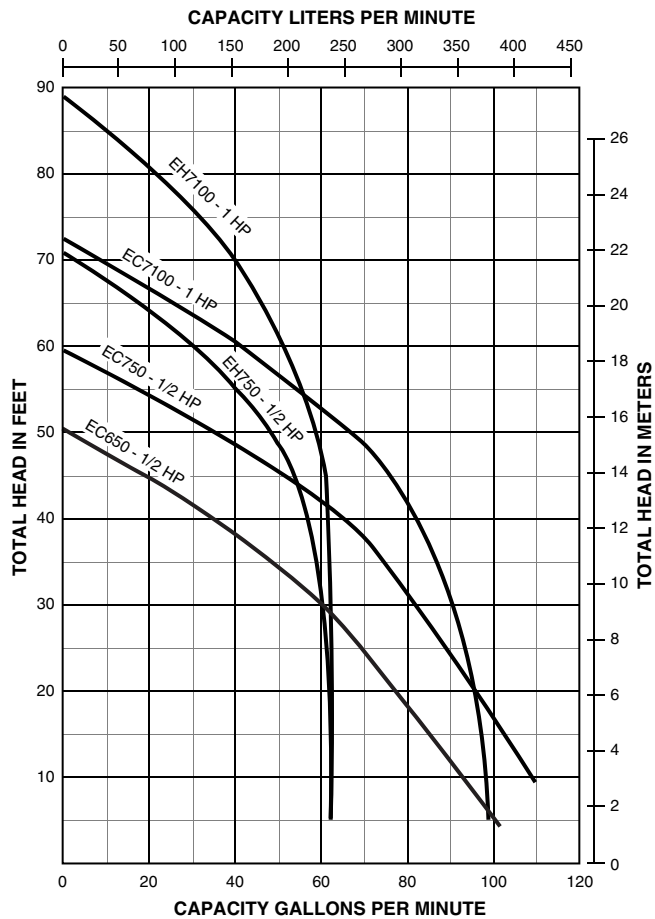
OUTLINE DIMENSIONS



SECTIONAL VIEW



PUMP PERFORMANCE



ORDERING INFORMATION

Catalog Number	HP	Max. Load Amps	Volts	Phase/Cycle	Cord Length	Mechanical Switch Type		Switch Setting	
						On	Off	On	Off
EC650120M	1/2	12.0	115	1/60	20'	Manual	-	-	-
EC650120T	1/2	12.0	115	1/60	20'	Tethered	18.1"	9.1"	-
EC650220M	1/2	5.6	230	1/60	20'	Manual	-	-	-
EC650220T	1/2	5.6	230	1/60	20'	Tethered	18.1"	9.1"	-
EC650320M	1/2	5.5	208-230	3/60	20'	Manual	-	-	-
EC650420M	1/2	2.7	460	3/60	20'	Manual	-	-	-
EC750120M	1/2	13.0	115	1/60	20'	Manual	-	-	-
EC750120T	1/2	13.0	115	1/60	20'	Tethered	18.1"	9.1"	-
EC750220M	1/2	6.4	230	1/60	20'	Manual	-	-	-
EC750220T	1/2	6.4	230	1/60	20'	Tethered	18.1"	9.1"	-
EC750320M	1/2	6.0	208-230	3/60	20'	Manual	-	-	-
EC750420M	1/2	3.0	460	3/60	20'	Manual	-	-	-
EC7100220M	1	6.6	230	1/60	20'	Manual	-	-	-
EC7100220T	1	6.6	230	1/60	20'	Tethered	18.1"	9.1"	-
EC7100320M	1	5.8	230	3/60	20'	Manual	-	-	-
EC7100420M	1	3.0	460	3/60	20'	Manual	-	-	-

HIGH HEAD MODELS

EH750120M	1/2	12.0	115	1/60	20'	Manual	-	-	-
EH750120T	1/2	12.0	115	1/60	20'	Tethered	18.1"	9.1"	-
EH750220M	1/2	6.5	230	1/60	20'	Manual	-	-	-
EH750220T	1/2	6.5	230	1/60	20'	Tethered	18.1"	9.1"	-
EH750320M	1/2	5.2	230	3/60	20'	Manual	-	-	-
EH750420M	1/2	2.7	460	3/60	20'	Manual	-	-	-
EH7100220M	1	8.7	230	1/60	20'	Manual	-	-	-
EH7100220T	1	8.7	230	1/60	20'	Tethered	18.1"	9.1"	-
EH7100320M	1	6.0	230	3/60	20'	Manual	-	-	-
EH7100420M	1	3.1	460	3/60	20'	Manual	-	-	-

*All EC6/EC7/EH7 Series Pumps have 3/4" solids handling capability and 2" NPT discharge.

