



cast iron submersible effluent pumps



The EC4 Series Pump is a rugged, submersible cast iron pump with a non-clog, semi-open impeller and solids handling capability to 3/4". Unit has a 4/10 HP single phase motor complete with power cord. 2" NPT vertical discharge is standard. A full selection of accessories for automatic operation is available, and includes

float switches, duplex controllers, simplex controllers, alarms, basins and check valves.

APPLICATIONS

- Effluent and Wastewater Removal
- Sump Drainage
- Dewatering
- Flood Control

ORDERING INFORMATION

Catalog Number	HP	Maximum Load Amps	Volts	Phase/Cycles	Cord Length	Mechanical Switch Type	Switch Setting	
							On	Off
EC440120M	4/10	9.7	115	1/60	20'	Manual	—	—
EC440120T	4/10	9.7	115	1/60	20'	Tethered	16.5"	7.5"
EC440220M	4/10	4.9	230	1/60	20'	Manual	—	—
EC440220T	4/10	4.9	230	1/60	20'	Tethered	16.5"	7.5"

Noryl® is a registered trademark of General Electric Co.
In order to provide the best products possible, specifications are subject to change.

EC4 SERIES

SPECIFICATIONS

Volute Casing – Cast iron

Upper and Lower Motor Housing – Cast iron

Impeller – Fiberglass reinforced Noryl® with threaded insert

Mechanical Seal – Type 6A or equal, Buna-N elastomers, carbon and ceramic sealing faces, stainless steel metal parts

Bearings – Lower ball, upper sleeve type, oil lubricated

Exterior Hardware and Nameplate – Stainless steel

Motor – 4/10 HP, 3450 RPM, 115 Volts or 230 Volts single phase, 60 Hz. Oil-filled. Built-in thermal overload protection with automatic reset and permanent split capacitor on single phase only. Stainless steel motor shaft.

Power Cord – 20' oil and water resistant 18-3 SJTW-A/SJTW with integrally grounded 3-prong plug, single phase. UL Listed. Stainless steel cord connector.

Maximum Liquid Temperature Limits – 130°F (55°C)

FEATURES

Bearings and Mechanical Seal – Permanently lubricated for long life.

Impeller – Non-clog vortex style, pump out vanes for seal protection.

Overload Protection – Built-in thermal overload with automatic reset.

Cord Design – Prevents oil loss from and moisture protection for motor.

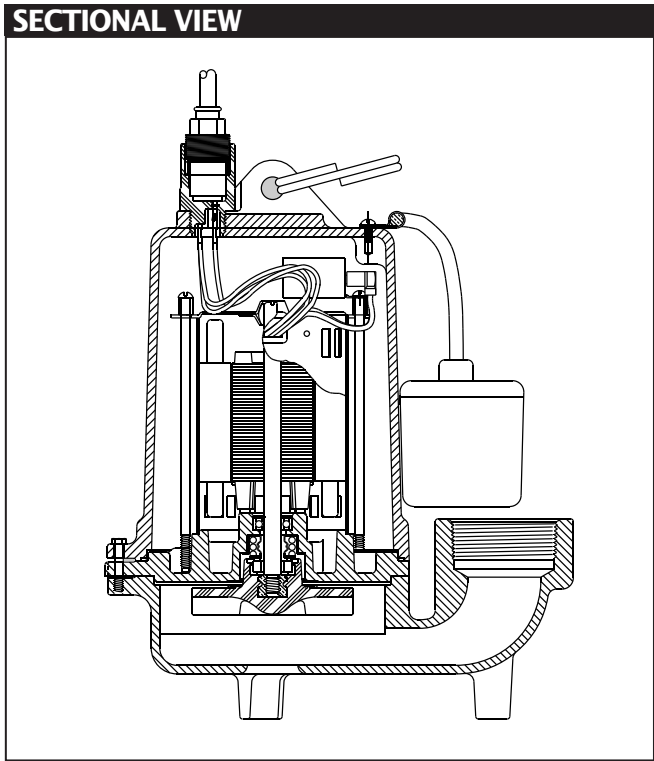
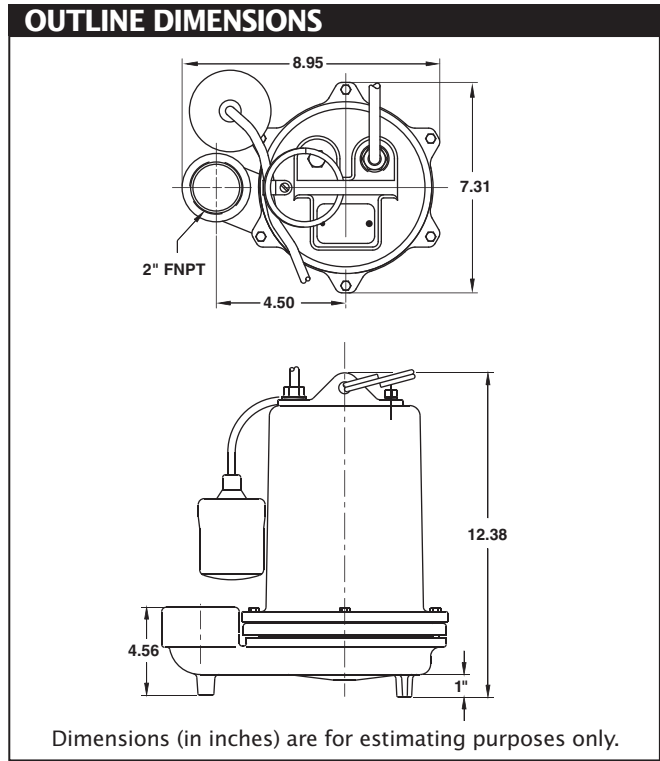
Serviceability – Heavy-duty lift out ring, field serviceable.

Solids Handling – 3/4" spherical capability.

Stainless Steel Hardware – Allows easy disassembly after extended service.

Controls – Standard controls available for automatic operation.

cast iron submersible effluent pumps



PUMP PERFORMANCE

