



4" submersible pumps



Precision engineered, quality built, and rugged 70 GPM Series submersibles may be used in wells 4" or larger. Maximum outside diameter 3-7/8".

APPLICATIONS

- **Water systems...** for residential, industrial, commercial, multiple housing and farm use.

SPECIFICATIONS

Discharge – Cast iron, ASTM A48 Class 30

Pump Bowls – Cast iron, ASTM A48 Class 30

Impellers – Polycarbonate with brass insert

Collets – Stainless steel, AISI 416

Upthrust Bearing – Bronze, ASTM B255 Type II

Pump Shaft – Stainless steel

Bowl and Intake Bearings – Nitrile (proprietary spec.)

Lead Guard – Stainless steel

Intake Bracket – Cast iron, ASTM A48 Class 30

Screen – Stainless steel

Pump/Motor Coupling – Stainless steel

70 GPM SERIES

FEATURES

Discharge – Heavy duty cast iron construction provides smooth water passage to column pipe. NPT threads standard.

Bowl and Intake Bearings – Fluted, cutless rubber type assures superior abrasive handling characteristics, located at each stage.

Polycarbonate Impellers – Glass reinforced polycarbonate resists abrasives and provides smooth water passages for minimum friction loss. Ensures optimum pump efficiency.

Pump Bowls – Highly efficient hydraulic design... threaded bowl design in gray cast iron.

Upthrust Bearing – Bronze upthrust bearing provides positive momentary upthrust protection during start up.

Intake Bracket – Efficient hydraulic design minimizes entrance losses, ensuring maximum pump performance.

Stainless Steel Pump Shaft – Precision straightened shaft is corrosion resistant stainless steel.

Pump/Motor Coupling – Stainless steel for maximum corrosion resistance... precision machined to ensure accurate alignment and power transfer.

Intake Screen – Stainless steel material offers maximum corrosion resistance... protects against damaging solids entering the pump assembly.

BERKELEY® is a registered trademark of Pentair Water.

In order to provide the best products possible, specifications are subject to change.



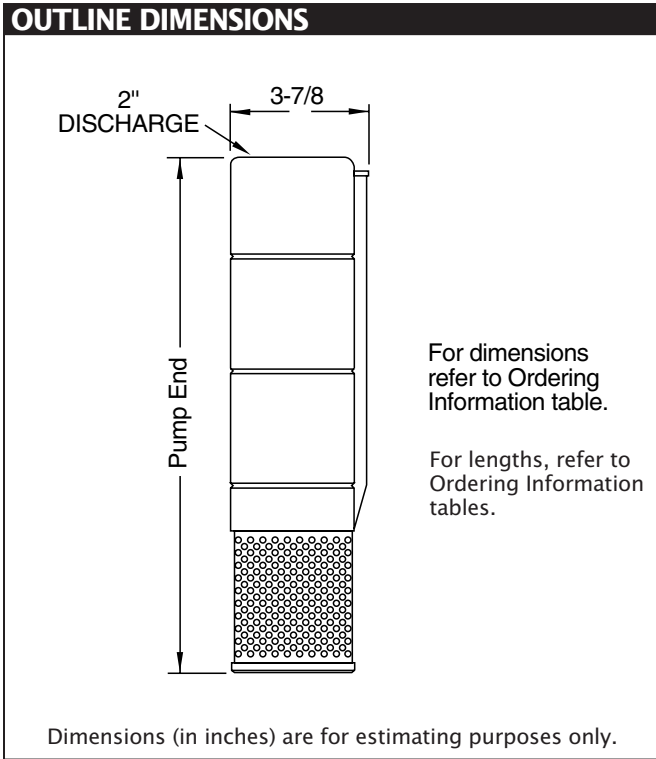
4" submersible pumps

ORDERING INFORMATION

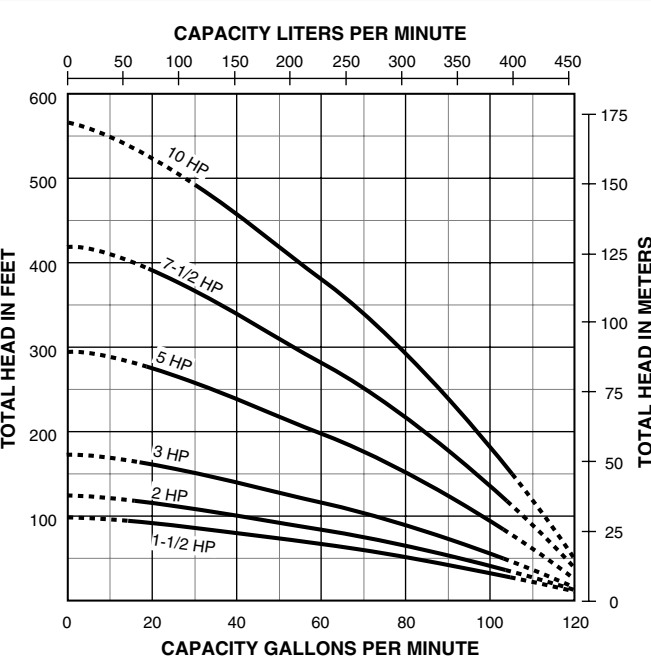
Motor Type	HP	Stgs.	PH	Volt	Pump End			Motor		Control Box	
					Catalog Number	Length Inches*	Weight Pounds*	Catalog Number	Weight Pounds*	Catalog Number	Weight Pounds*
2 Wire	1-1/2	4	1	230	SL70F4	20-25/32	26	P42B0015A2	29		
3 Wire	1-1/2	4	1	230	SL70F4	20-25/32	26	P43B0015A2	27	SMC-CR1521	7
	1-1/2	4	3	230	SL70F4	20-25/32	26	P43B0015A3	23		
	1-1/2	4	3	460	SL70F4	20-25/32	26				
	2	5	1	230	SL70G4	24-1/16	31	P43B0020A2	31	SMC-CR2021	7
	2	5	3	230	SL70G4	24-1/16	31	P43B0020A3	27		
	2	5	3	460	SL70G4	24-1/16	31				
	3	7	1	230	SL70H4	30-5/8	39	P43B0030A2	40	SMC-CR3021	7
	3	7	3	230	SL70H4	30-5/8	39	P43B0030A3	32		
	3	7	3	460	SL70H4	30-5/8	39				
	5	12	1	230	SL70J4	47-1/32	60	P43B0050A2	70	SMC-CR5021	8
	5	12	3	230	SL70J4	47-1/32	60	P43B0050A3	55		
	5	12	3	460	SL70J4	47-1/32	60				
	7-1/2	17	3	230	SL70K4	63-7/16	81	P43B0075A3	70		
	7-1/2	17	3	460	SL70K4	63-7/16	81				
10	23	3	460	SL70L4	83-1/8	106					

*Length and Weight are approximate.

NOTE: Pump end and motor purchased separately.



PUMP PERFORMANCE – 70 GPM



Tested and rated in accordance with Water Systems Council Standards.

NOTE: Pumps installed with a PRO-Source™ tank require a 100 PSI relief valve. Pumps installed with a conventional tank require a 75 PSI relief valve. Relief valve must be capable of relieving entire flow of pump at relief pressure.



4" submersible pumps

PUMP PERFORMANCE (Capacity in Gallons Per Minute)																									
HP	PSI	Pumping Depth in Feet																							
		20'	40'	60'	80'	100'	125'	150'	175'	200'	225'	250'	275'	300'	325'	350'	375'	400'	425'	450'	475'	500'	525'	550'	
1-1/2	0	—	92.5	70.0	40.0	—																			
	20	61.5	31.0	—																					
	30	25.0	—																						
	40	—																							
	50																								
	60																								
2	0	—	100.0	85.0	64.0	40.0	—																		
	20	79.0	57.0	32.5	—	—																			
	30	52.5	28.0	—																					
	40	25.0	—																						
	50	—																							
	60																								
3	0	—	104.0	98.0	86.0	73.5	52.5	31.0	—																
	20	95.0	82.5	68.0	52.0	35.0	—	—																	
	30	81.0	66.0	49.0	32.0	—	—																		
	40	64.0	47.0	29.0	—	—																			
	50	43.0	25.5	—	—																				
	60	22.0	—																						
5	0	—	—	—	106.0	99.0	91.0	82.0	72.0	60.0	47.5	35.0	21.0	—											
	20	—	104.0	97.0	90.5	83.5	74.0	62.0	49.5	37.0	23.0	—	—												
	30	102.5	96.0	88.5	82.5	74.5	63.0	50.0	38.0	25.0	—	—													
	40	95.0	87.5	81.5	73.5	64.0	51.5	39.0	26.0	—	—														
	50	86.0	80.0	72.0	62.0	52.0	39.5	27.0	—	—															
	60	78.0	70.0	61.0	50.0	40.0	27.5	—	—																
7-1/2	0	—	—	—	—	108.0	103.0	97.0	91.0	85.0	78.0	75.0	62.5	54.0	45.5	35.5	16.5	—							
	20	—	—	108.0	102.5	97.5	92.0	86.0	80.0	76.0	64.9	56.0	47.0	37.5	27.5	18.0	—								
	30	—	107.5	102.0	97.0	92.5	87.0	80.5	76.5	65.0	56.5	47.5	38.0	28.0	19.0	—									
	40	107.0	101.5	96.5	92.0	87.5	81.5	77.0	65.5	57.0	48.0	38.5	29.0	19.5	—										
	50	101.0	96.0	91.0	86.0	82.0	77.0	66.0	57.5	48.0	39.0	30.0	20.0	—											
	60	95.0	90.0	85.0	80.5	77.5	66.5	57.5	49.0	40.0	31.0	21.0	—												
10	0	—	—	—	—	110.0	106.0	102.0	97.5	93.0	88.0	84.0	79.0	74.9	68.0	62.0	55.0	48.0	42.5	36.0	28.5	22.0	12.5		
	20	—	—	—	110.0	107.0	102.5	98.5	93.5	89.0	85.0	80.0	75.5	69.5	62.5	56.0	49.5	43.0	37.0	31.0	22.5	14.5	—	—	
	30	—	—	109.5	106.5	103.0	99.0	94.0	89.5	85.0	80.5	76.0	70.0	63.0	57.0	55.0	43.5	37.5	31.5	23.5	15.0	—			
	40	—	109.0	106.0	102.5	99.5	95.0	90.0	85.5	81.0	76.5	70.5	64.0	57.5	51.0	44.0	38.0	32.0	24.0	15.5	—				
	50	108.0	105.5	102.0	98.5	95.0	90.0	86.0	81.5	76.5	71.0	64.5	57.5	51.5	44.5	38.0	32.5	24.5	16.0	—	—				
	60	104.5	101.5	98.0	94.0	91.0	86.5	82.0	77.0	72.0	65.0	58.0	52.0	46.0	38.5	32.5	25.0	17.5	—	—					

CAUTION: DO NOT use pump at flow rates indicated by the symbol —. To do so can cause premature failure of unit. Pump warranty void when failure occurs under these conditions. Tested and rated in accordance with Water Systems Council Standards.

NOTE: Pumps installed with a PRO-Source™ tank require a 100 PSI relief valve. Pumps installed with a conventional tank require a 75 PSI relief valve. Relief valve must be capable of relieving entire flow of pump at relief pressure.